

## Installation Instructions

DIOS  
Piccolo-XR Unit

6802975C10-O



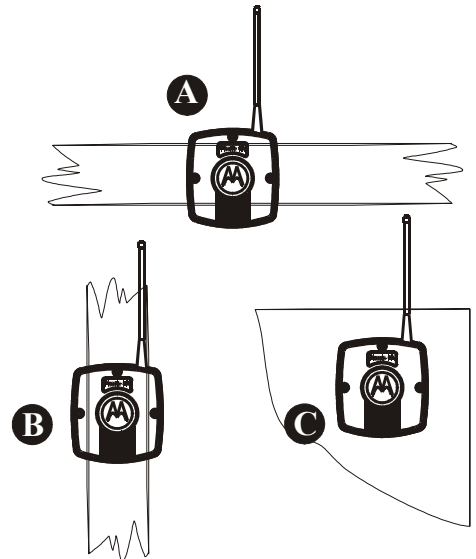
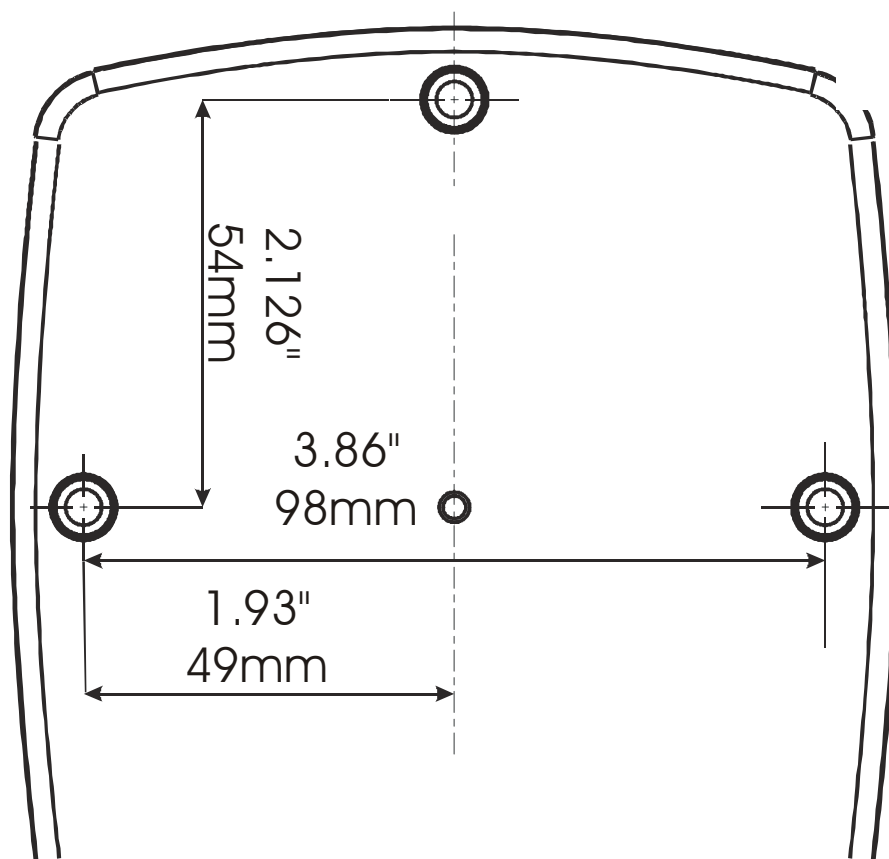
**MOTOROLA**  
intelligence everywhere™

## Mounting

Before mounting the Piccolo-XR, verify that sufficient clearance is left around the unit.

Use any combination of the three mounting holes to secure the unit onto the mounting surface. See the three mounting options (A, B, C) in the figure on the right.

The template below can be used for mounting the Piccolo-XR unit.



6802975C10-O



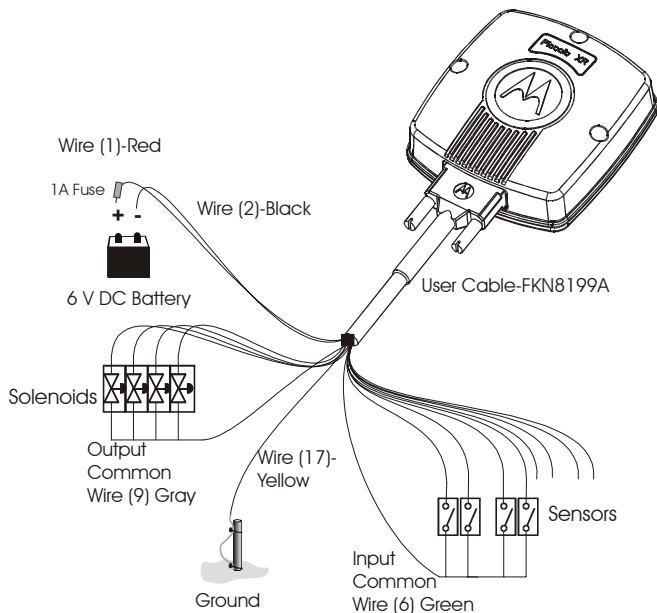
November 2004

# Electrical Connections

**Note! Verify that all power connections are made in accordance with the applicable local standards.**

Connect the Piccolo-XR as described in the illustration below:

1. Connect the yellow wire (#17) of the user cable (FKN8199A) to the Ground.
2. Connect the red (#1) wire of the user cable to the positive (+) pole of the battery, through a 1A fuse (not supplied) and the black (#2) wire to the negative (-) pole of the battery.
3. Connect the Outputs (Valves) and the Inputs (Sensors) in accordance with the table on the right.



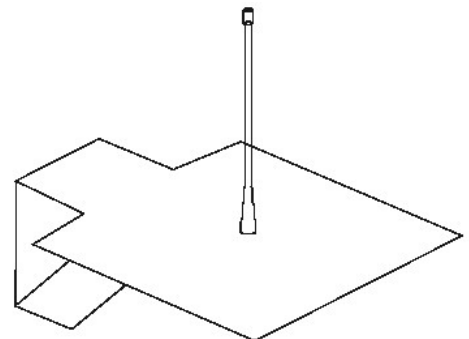
PIN No	Color	Description
1	Red	Battery 6V(+)
2	Black	Battery 6V(-)
3	Brown	Solenoid 2
4	Orange	Input 4
5	White	Input 6
6	Green	Input Common*
7	Blue	Solenoid 3
8	Violet	Solenoid 4
9	Gray	Solenoid Common*
10	Pink	Solenoid 1
11	Light Green	Input 1
12	Black/White	Input 2
13	Brown/White	Input 3
14	Red/White	Input 5
15	Orange/White	Input 7
16	White/Green	Input 8
17	Yellow	PGND (Chassis)*

**\* Note! The Input Common, Output Common and Ground are INDEPENDENT.**

# Antenna Connection

Connect the antenna directly on top of the unit, using the supplied Shot Antenna, or Pole-Mount Antenna (options V208 or FAE5534 respectively). See example in the figure on the right.

For complete installation description, see the DIOS PIU/Piccolo-XR Owner's Manual.



MOTOROLA and the Stylized M Logo are registered in the U.S. Patent and Trademark Office. All other product or service names are the property of their respective owners.

COPYRIGHT © 2004 MOTOROLA ALL RIGHTS RESERVED

6802975C10-O

